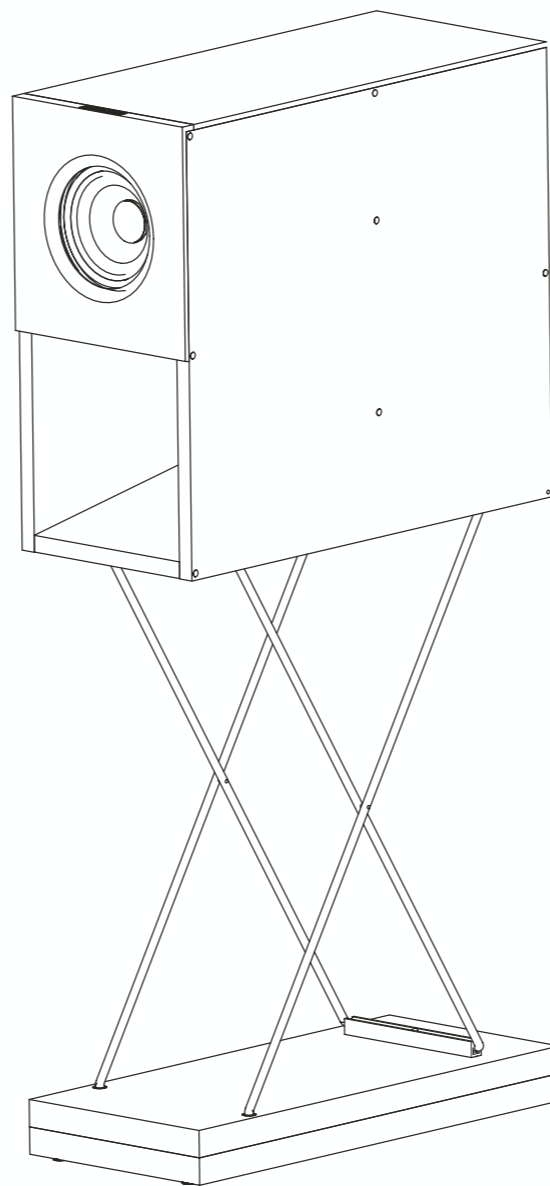




OMNI-1.0 STAND



USER MANUAL

THANK YOU
and
WELCOME to REAXT

Congratulations on the purchase of your **Omni-1.0 Stand**.

This manual describes step-by-step how you assemble your B.I.Y. **Omni-1.0 Stand**.

Kindly follow the instructions and enjoy your **Omni-1.0 Stand**
as much as we have enjoyed creating it for you.

Let the sound flow.
The Reaxt Team.

CUSTOMER SUPPORT

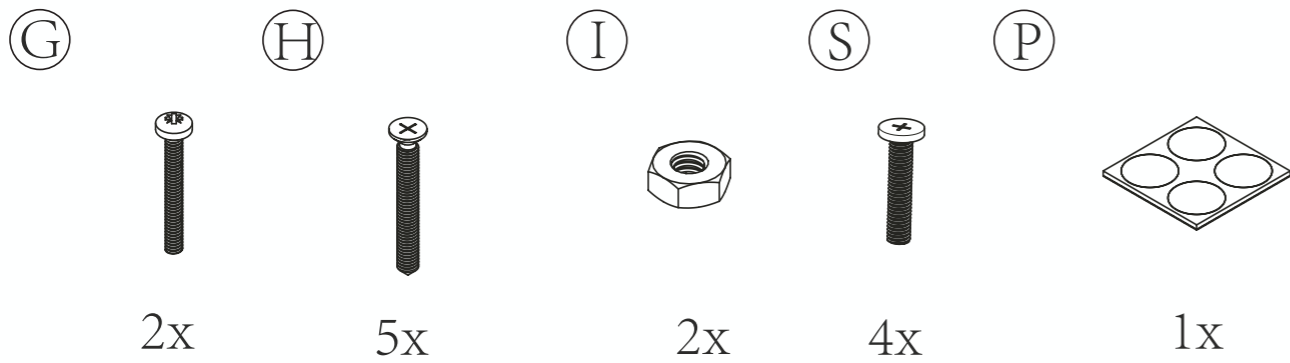
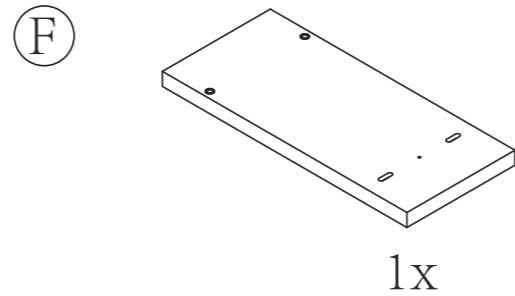
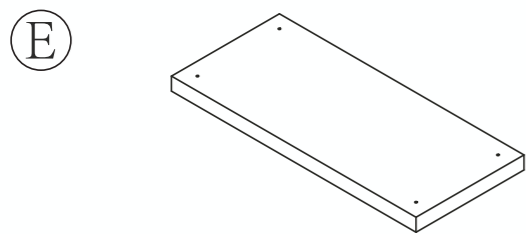
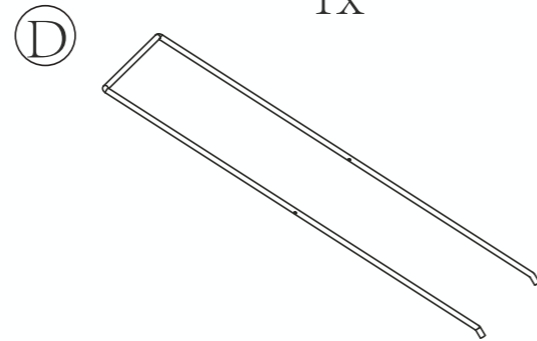
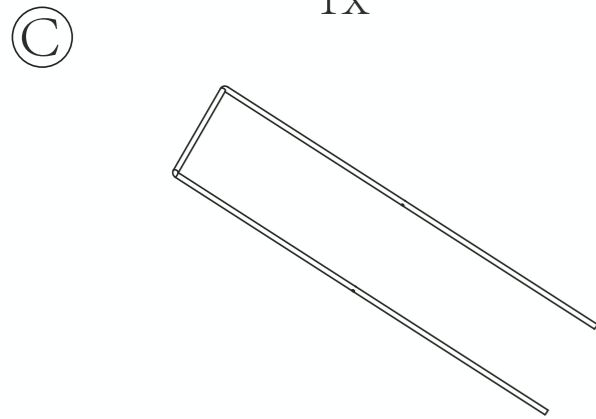
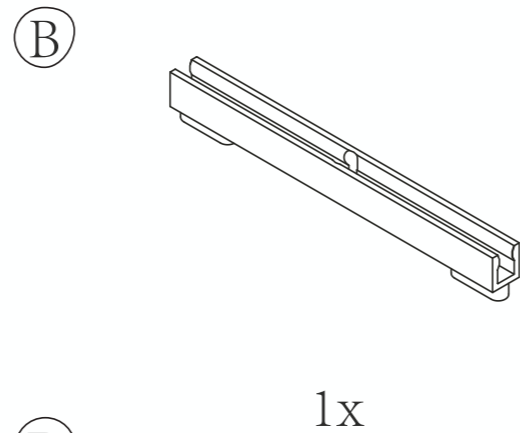
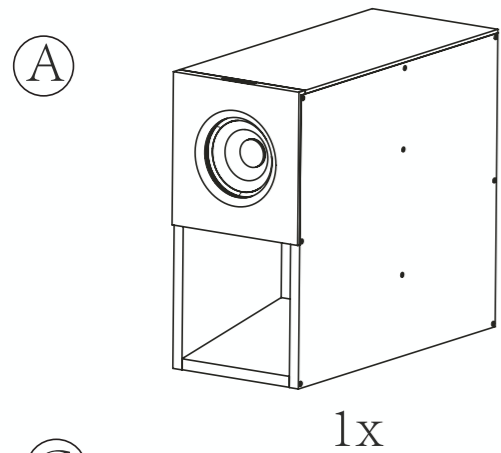
For online troubleshooting tips please visit: react.com/troubleshooting

Contact us at react.com/support and fill in our customer support form

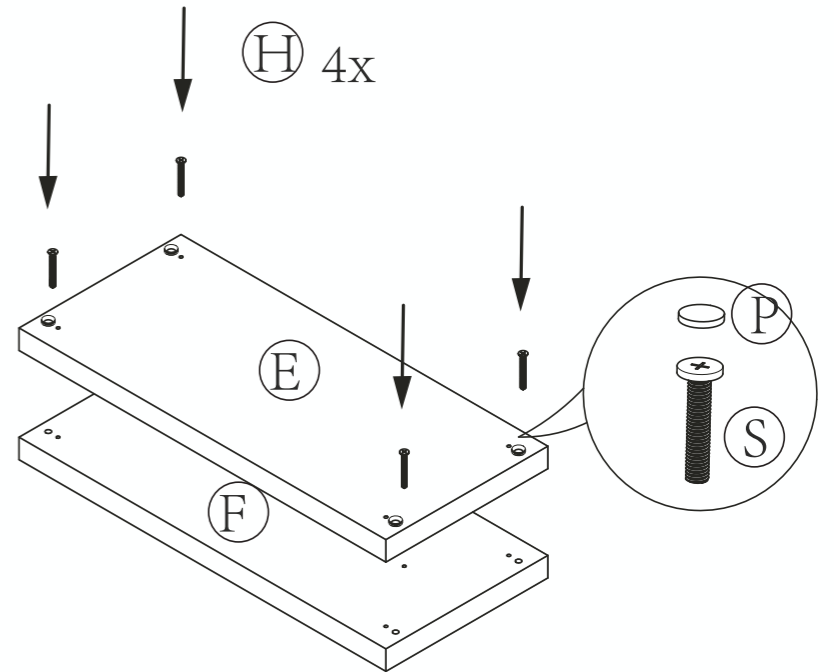
Warranty: react.com/warranty

REAXT (H.K.) Limited
Room 1408,14/F Wu Sang House
655 Nathan Road
Mongkok, Kowloon, Hong Kong
info@react.com - www.react.com

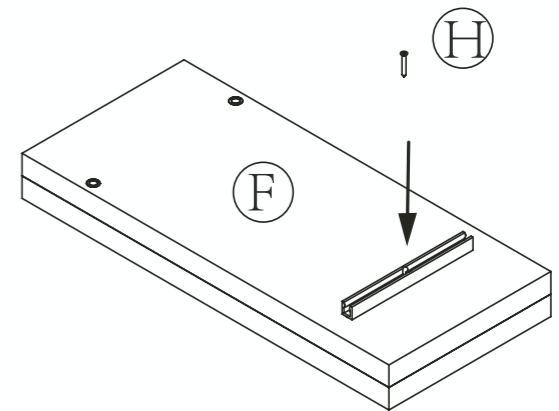
OMNI-1.0 STAND - B.I.Y. INSTRUCTIONS



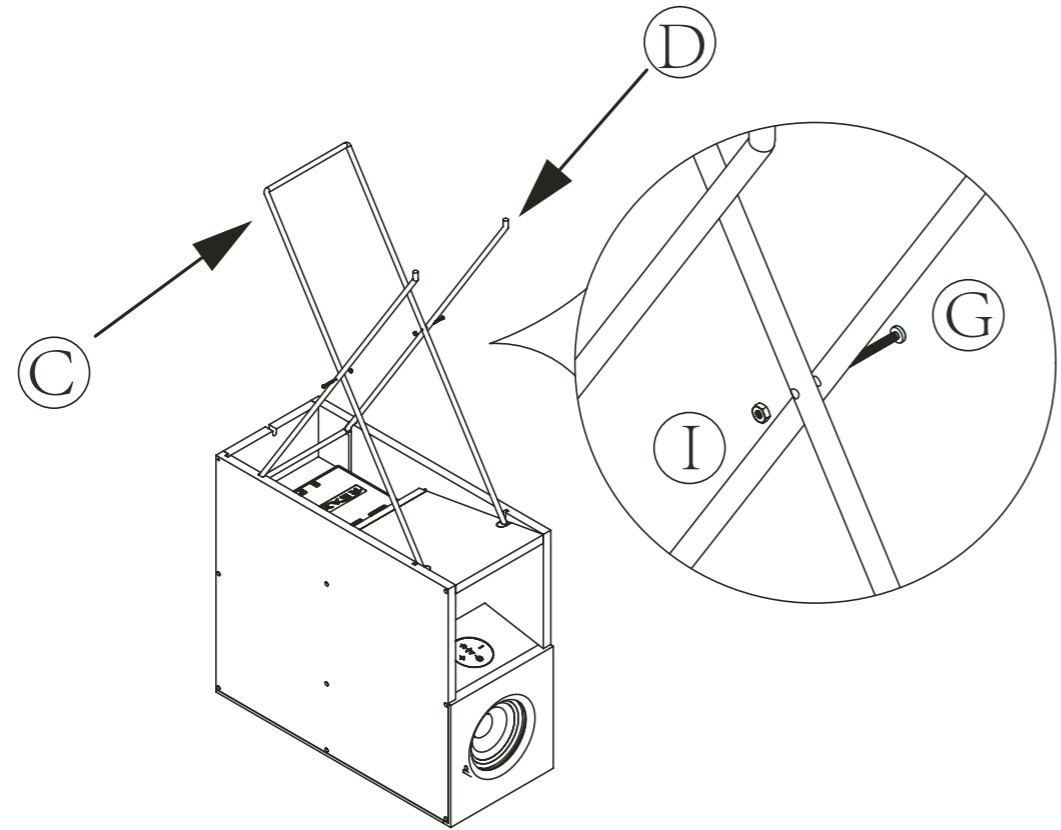
1.



2.



3.



4.

