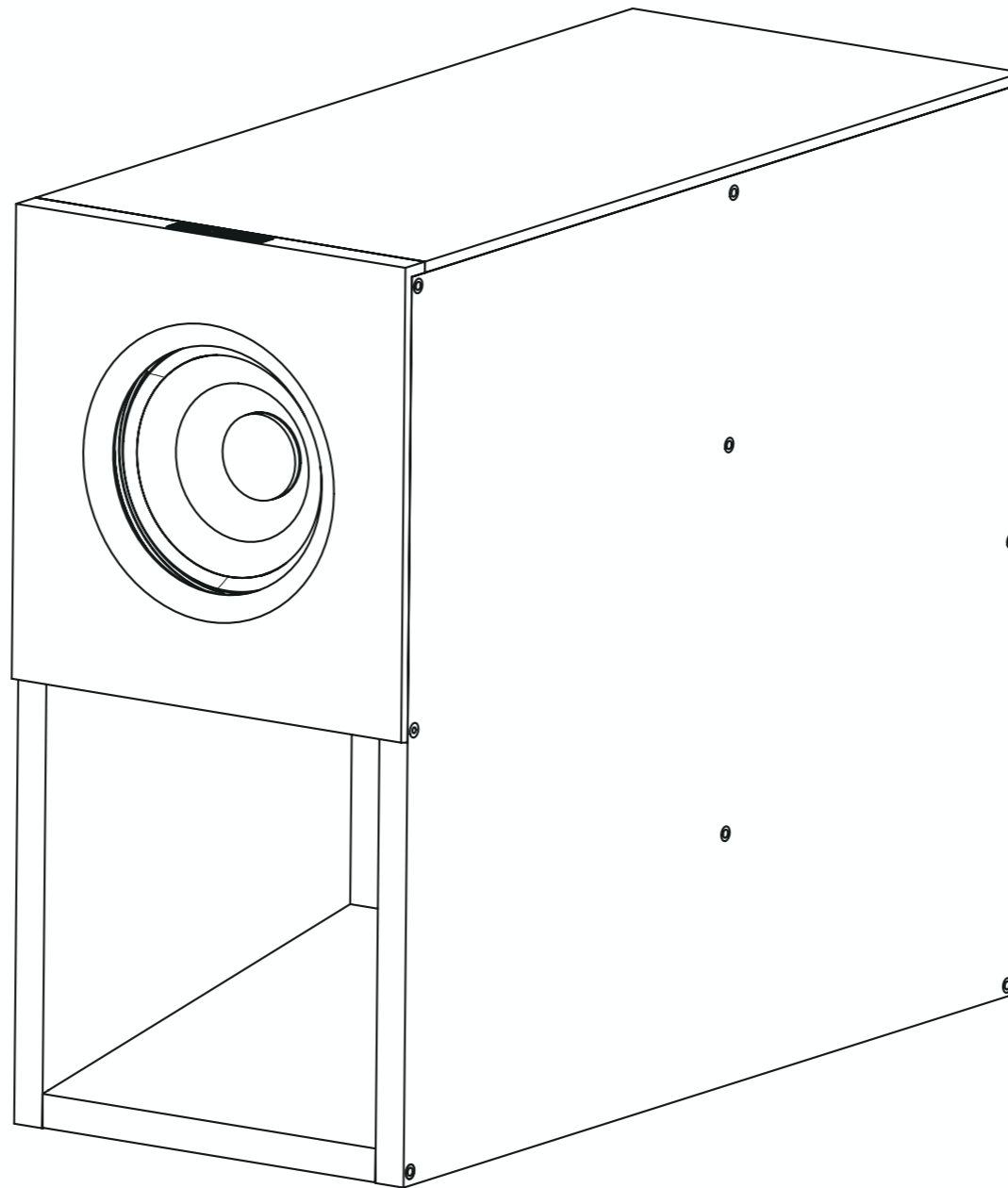




OMNI-1.0



USER MANUAL

THANK YOU
and
WELCOME to REAXT

Congratulations on the purchase of your **Omni-1.0**.

We've put our knowledge and long experience in the audio world into creating good-quality speakers. Now it is up to you to experience them.

This manual describes step-by-step how you assemble your B.I.Y. **Omni-1.0**.

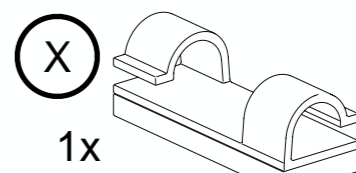
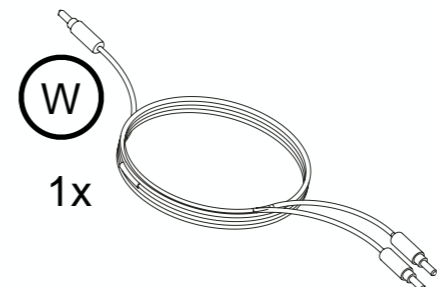
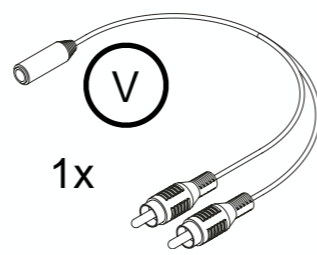
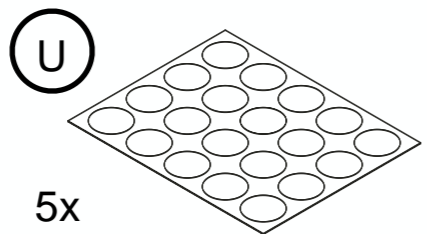
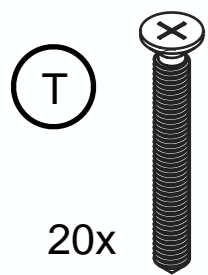
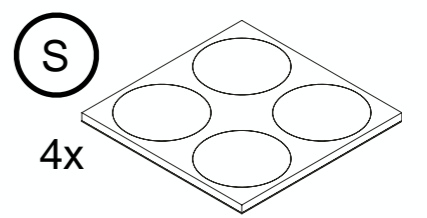
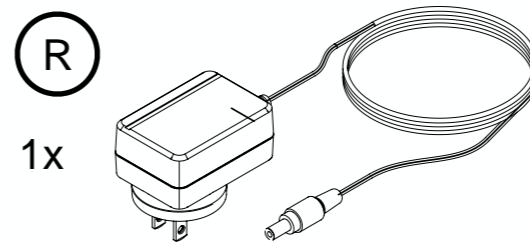
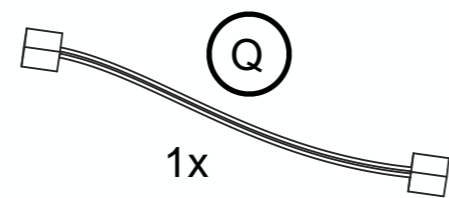
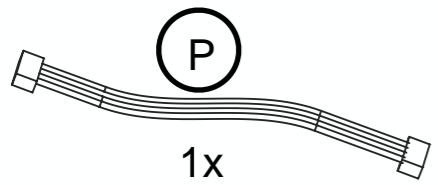
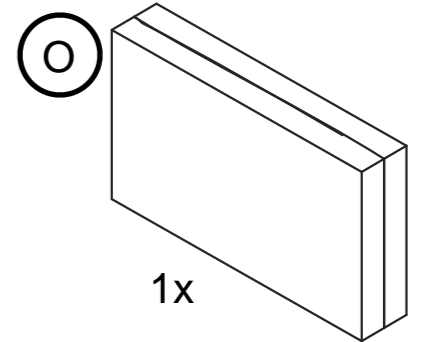
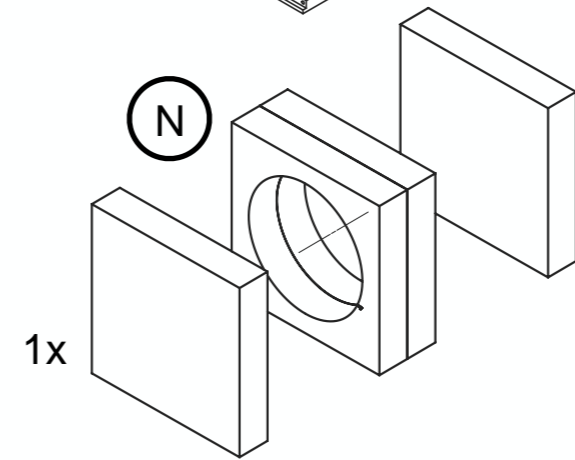
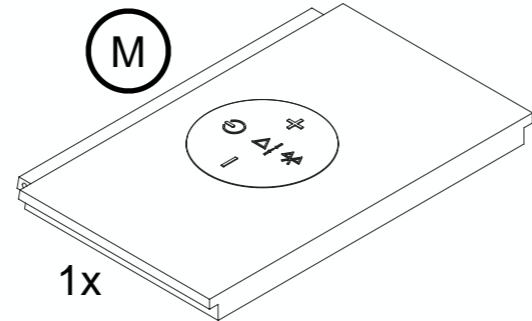
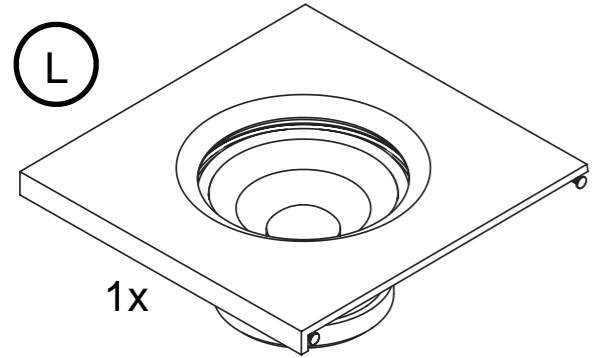
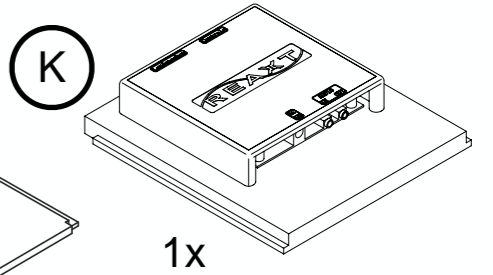
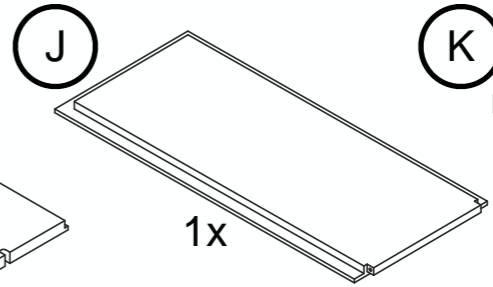
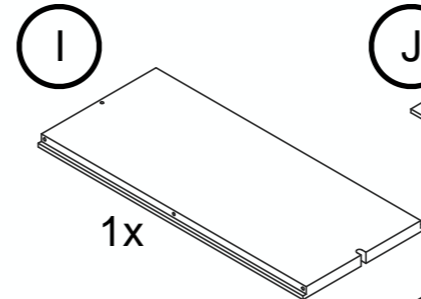
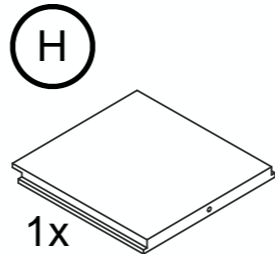
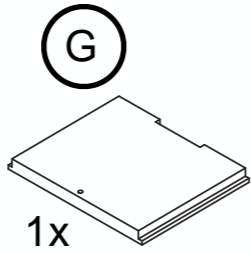
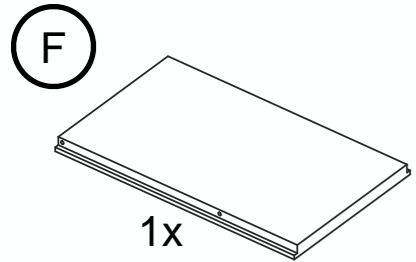
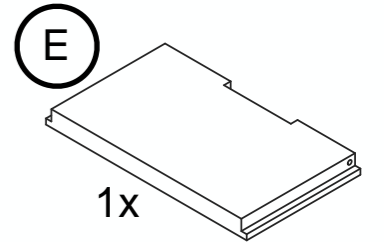
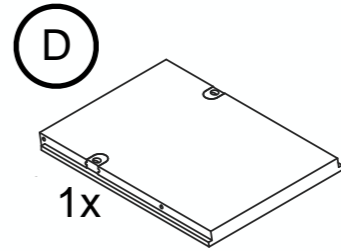
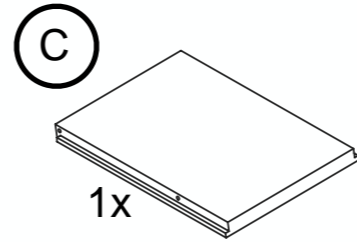
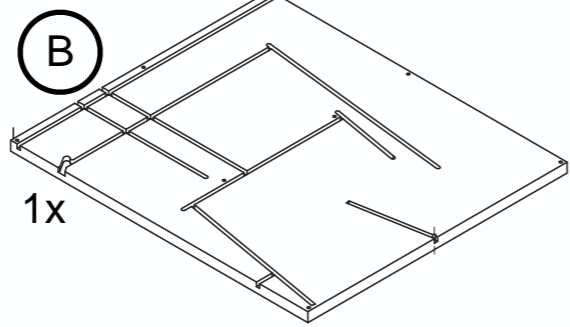
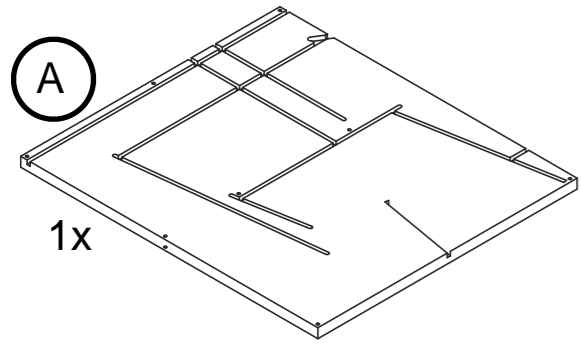
Kindly follow the instructions and enjoy your **Omni-1.0** as much as we have enjoyed creating it for you.

Let the sound flow.
The Reaxt Team.

TABLE OF CONTENTS

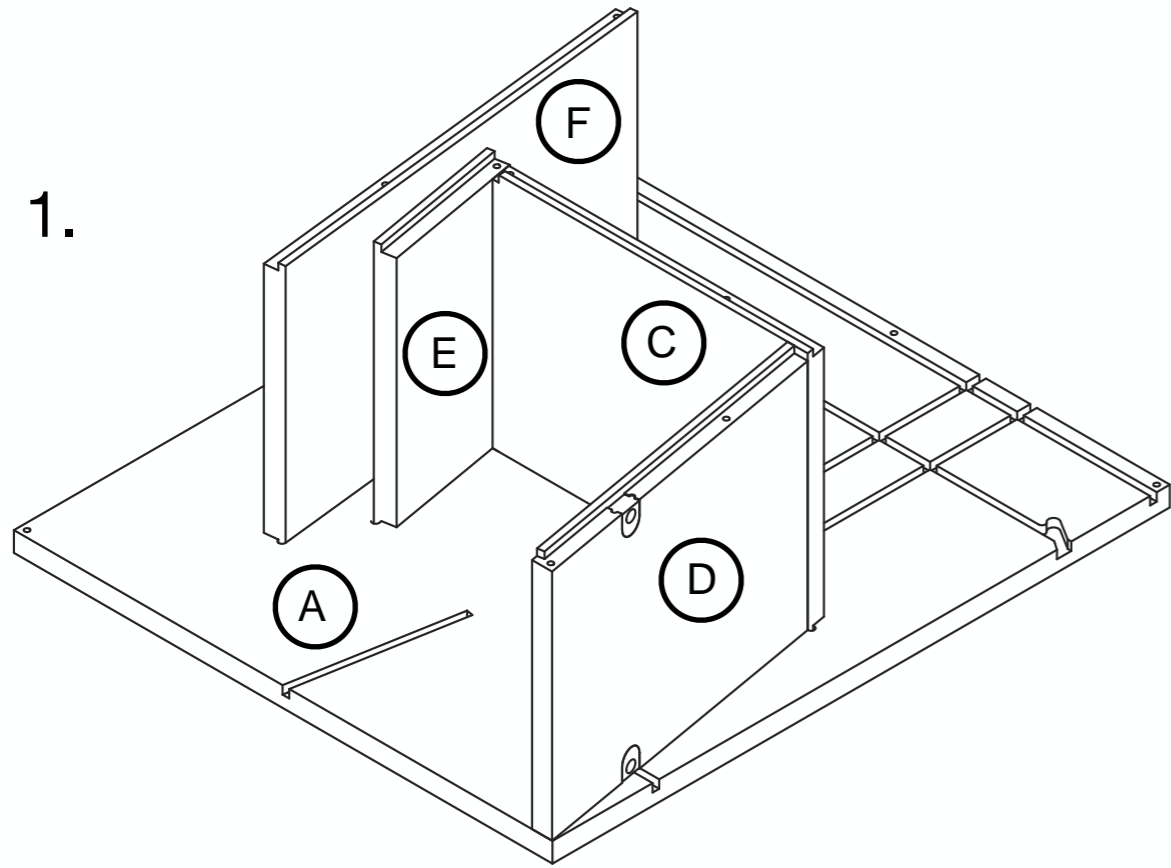
<u>In The Package</u>	<u>3</u>
<u>B.I.Y. - Build It Yourself Instructions</u>	<u>4</u>
<u>Dimensions, Specifications, Verification</u>	<u>8</u>
<u>Buttons Explained</u>	<u>9</u>
<u>Pair & Connect Your Device – Bluetooth</u>	<u>10</u>
<u>To play with Non-Bluetooth Devices, use a 3.5mm Stereo Audio Cable</u>	<u>11</u>
<u>Wireless Dual Stereo Pairing - Bluetooth Lipsync issues with video source</u>	<u>12</u>
<u>Customer Support and Warranty Safety and Precautions</u>	<u>13</u>

IN THE PACKAGE

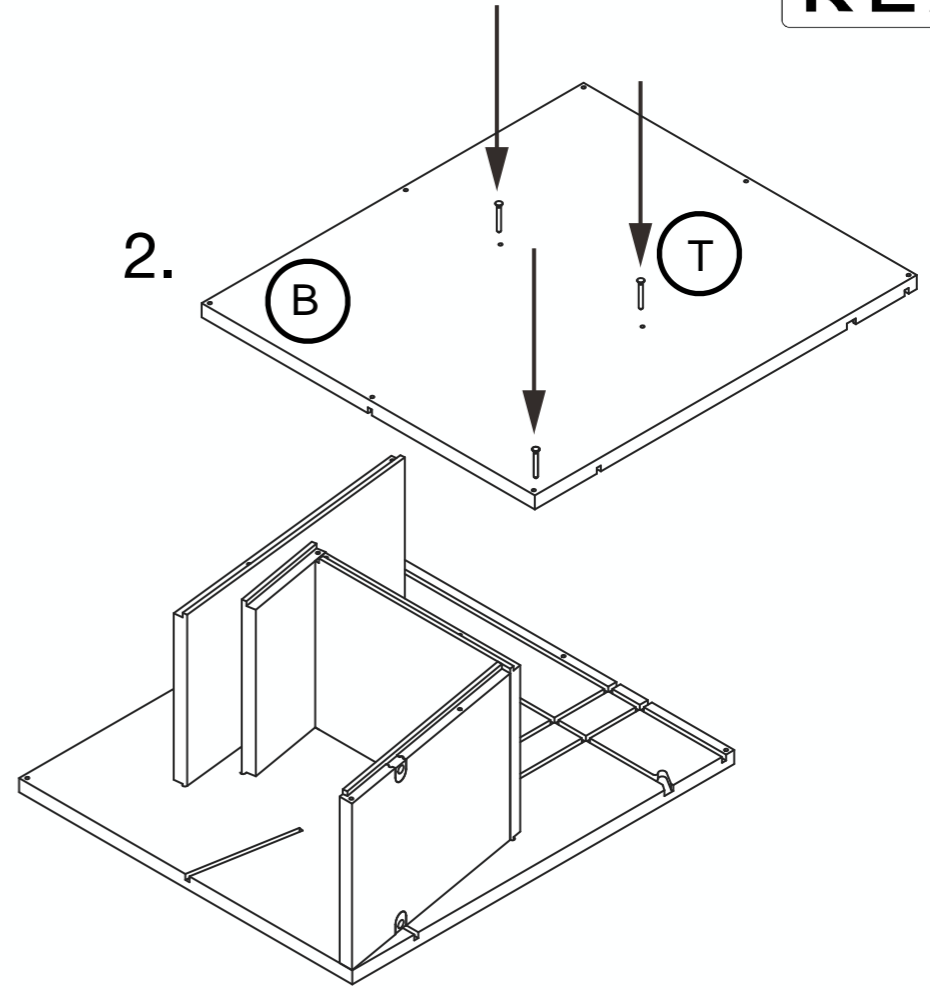


B.I.Y. INSTRUCTIONS

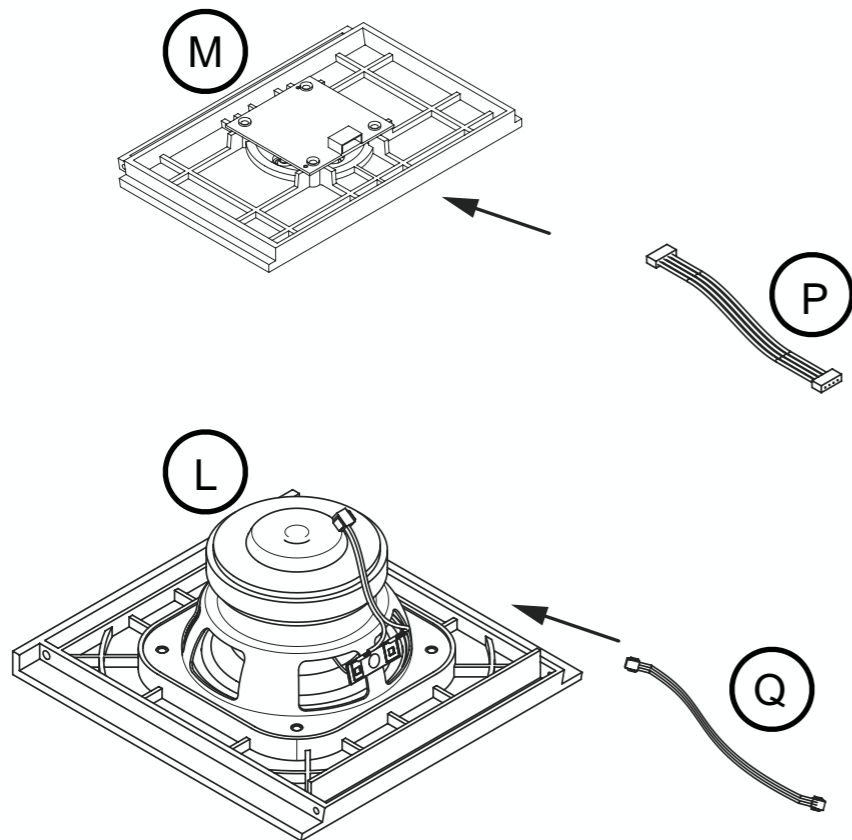
1.



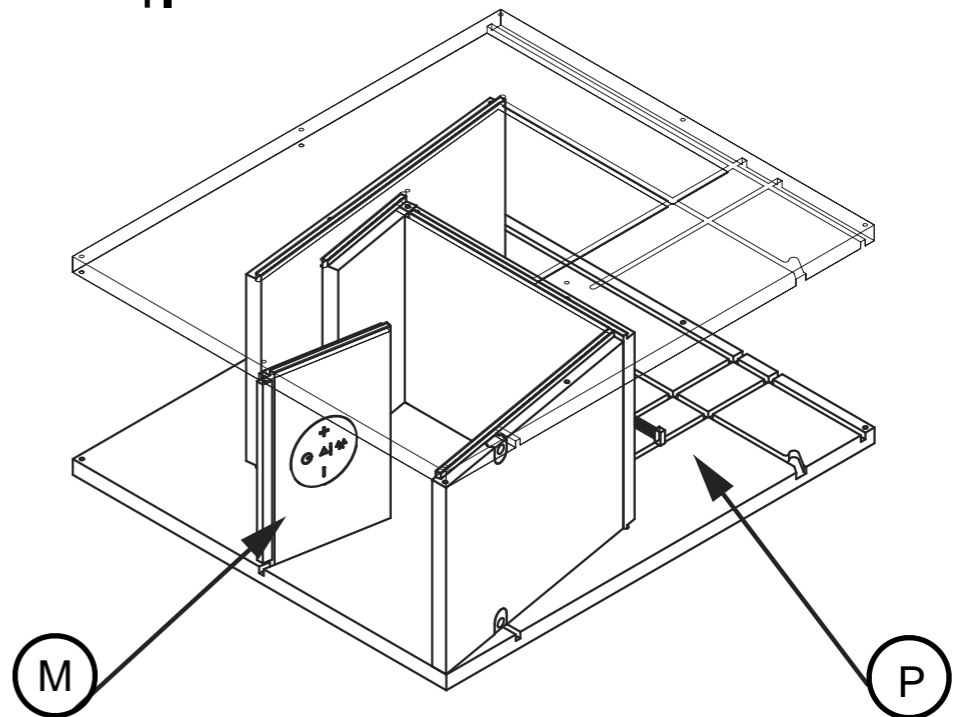
2.



3.

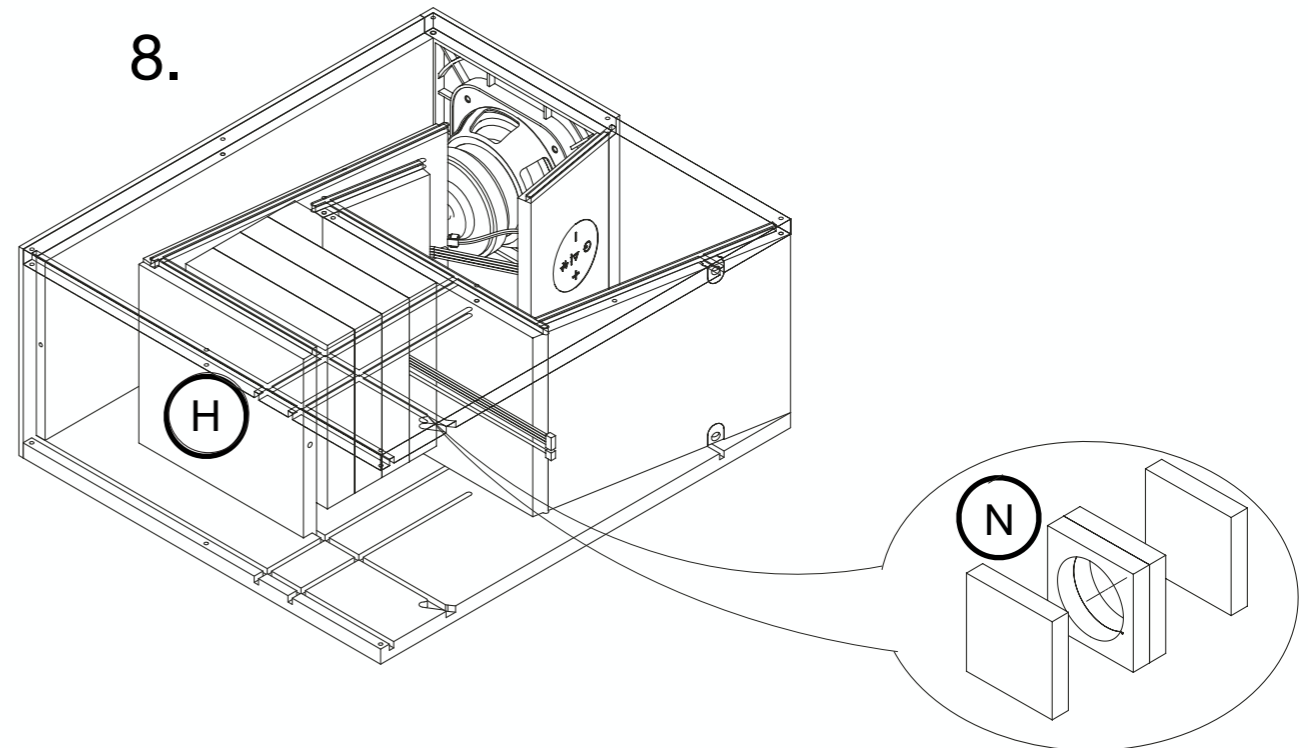
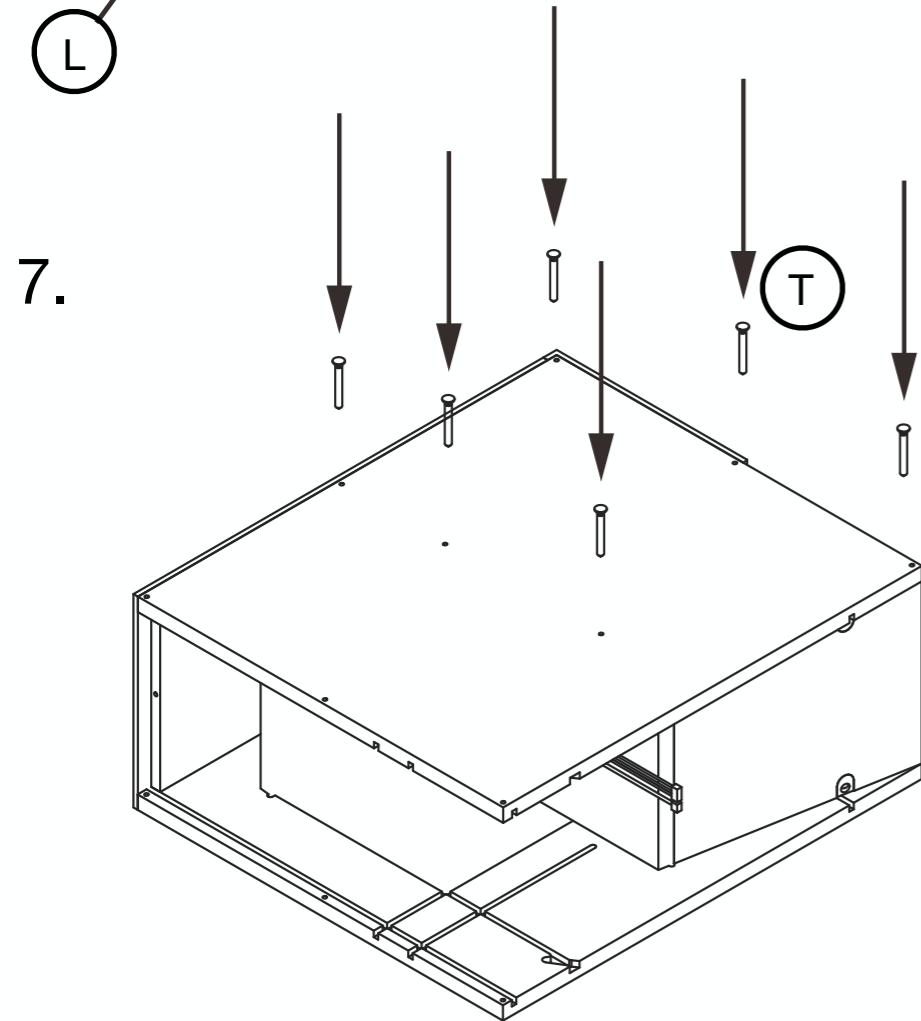
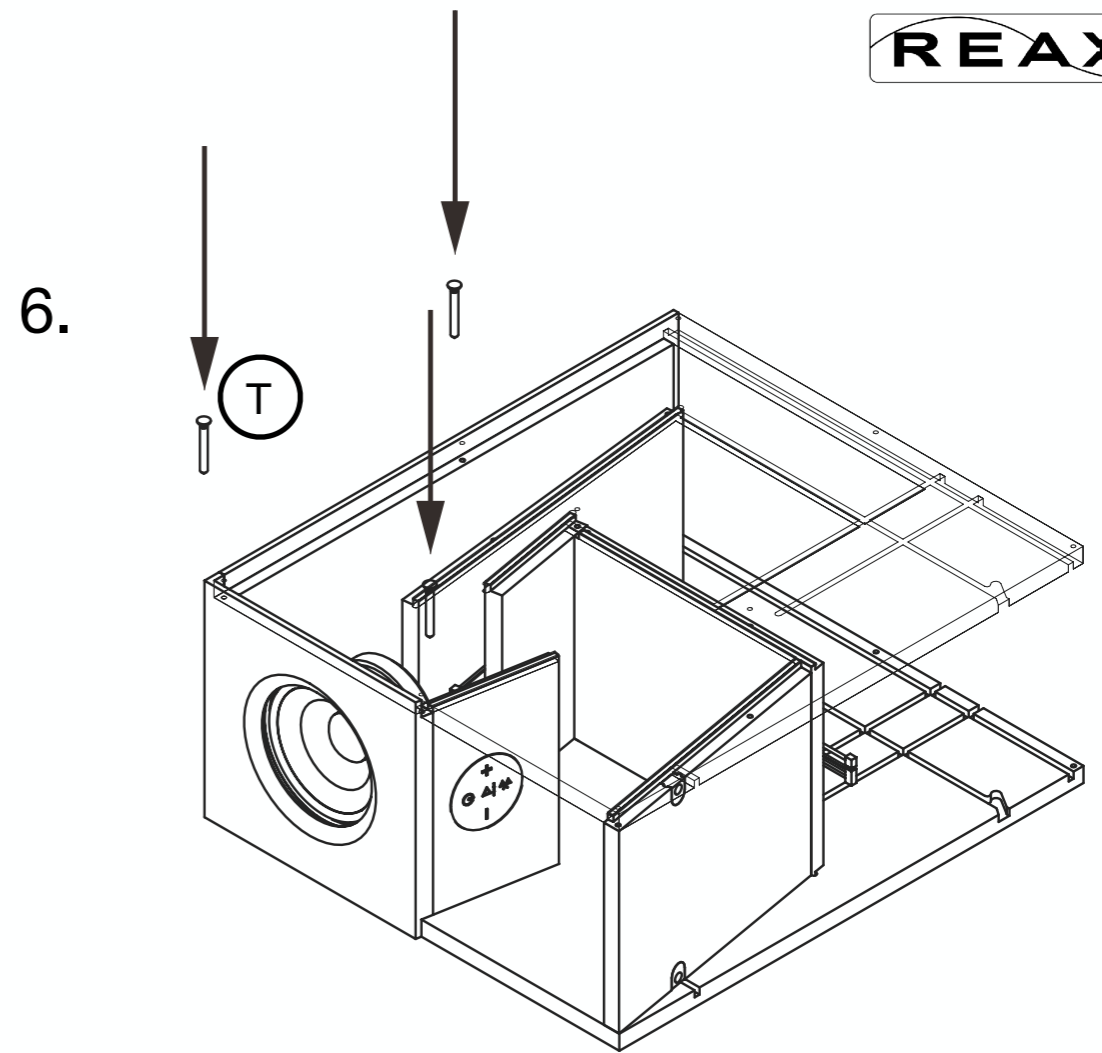
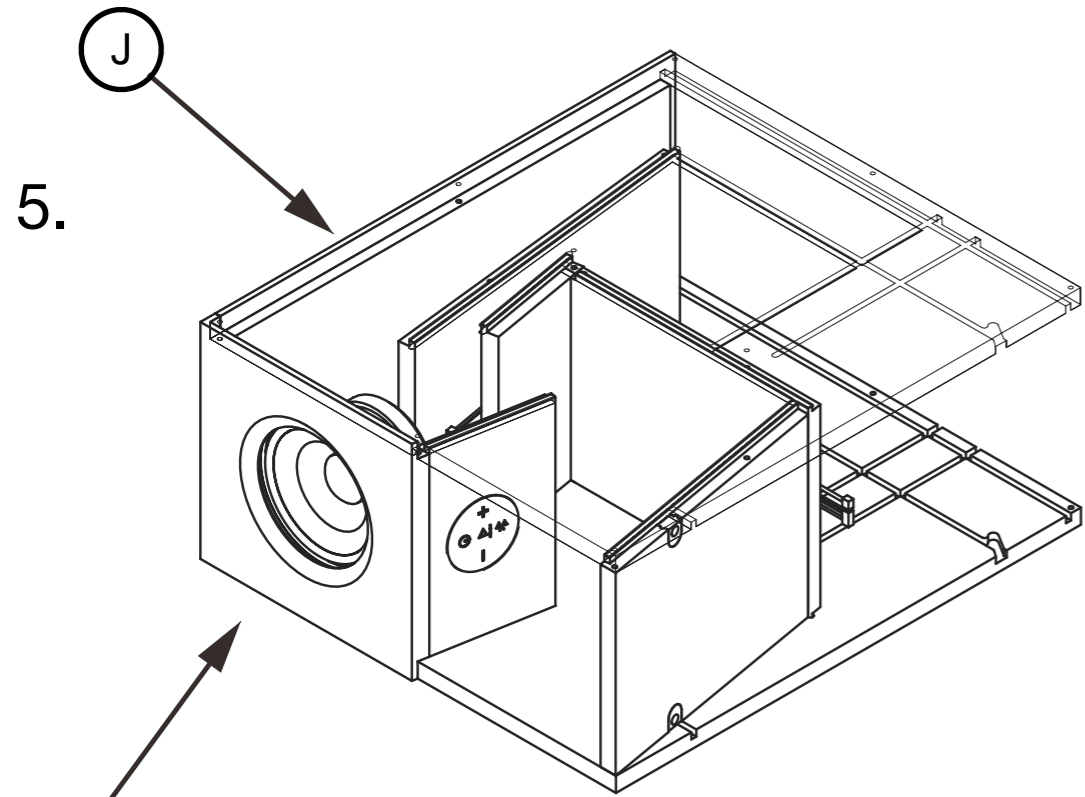


4.

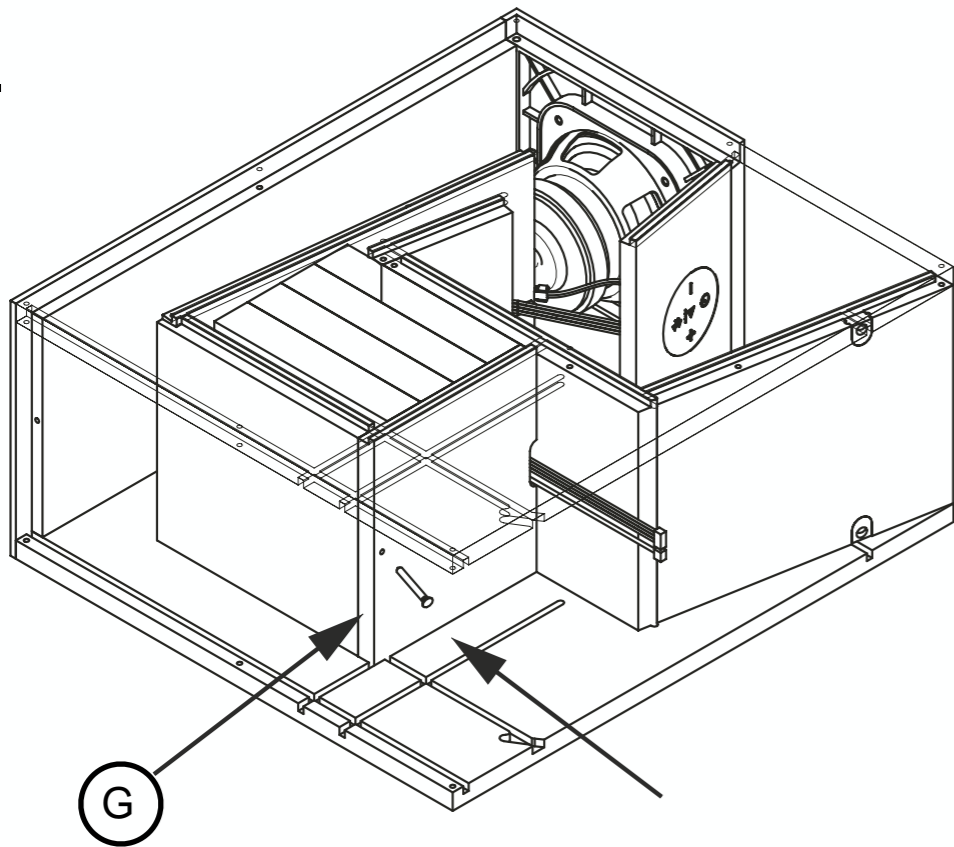


B.I.Y. INSTRUCTIONS

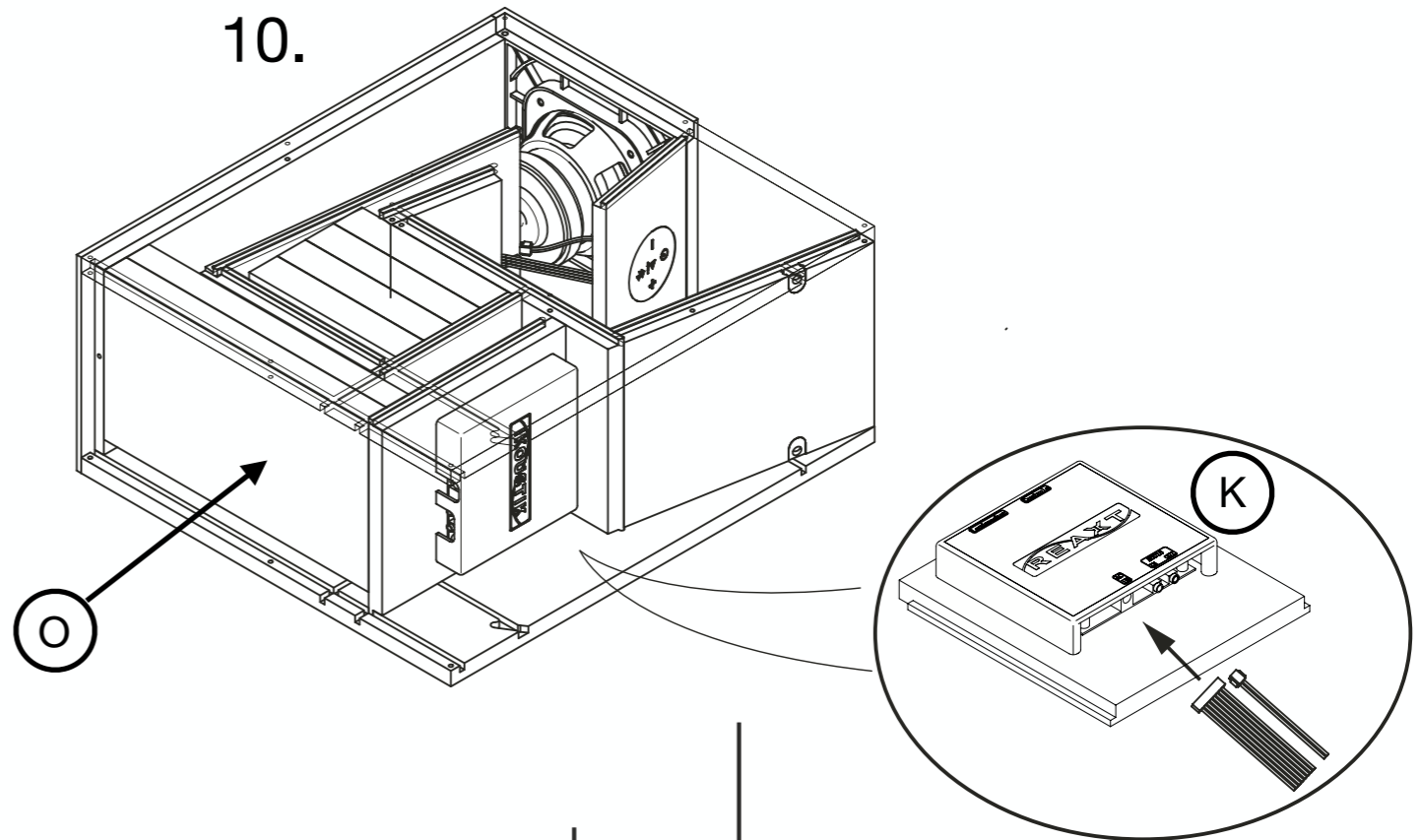
REACT



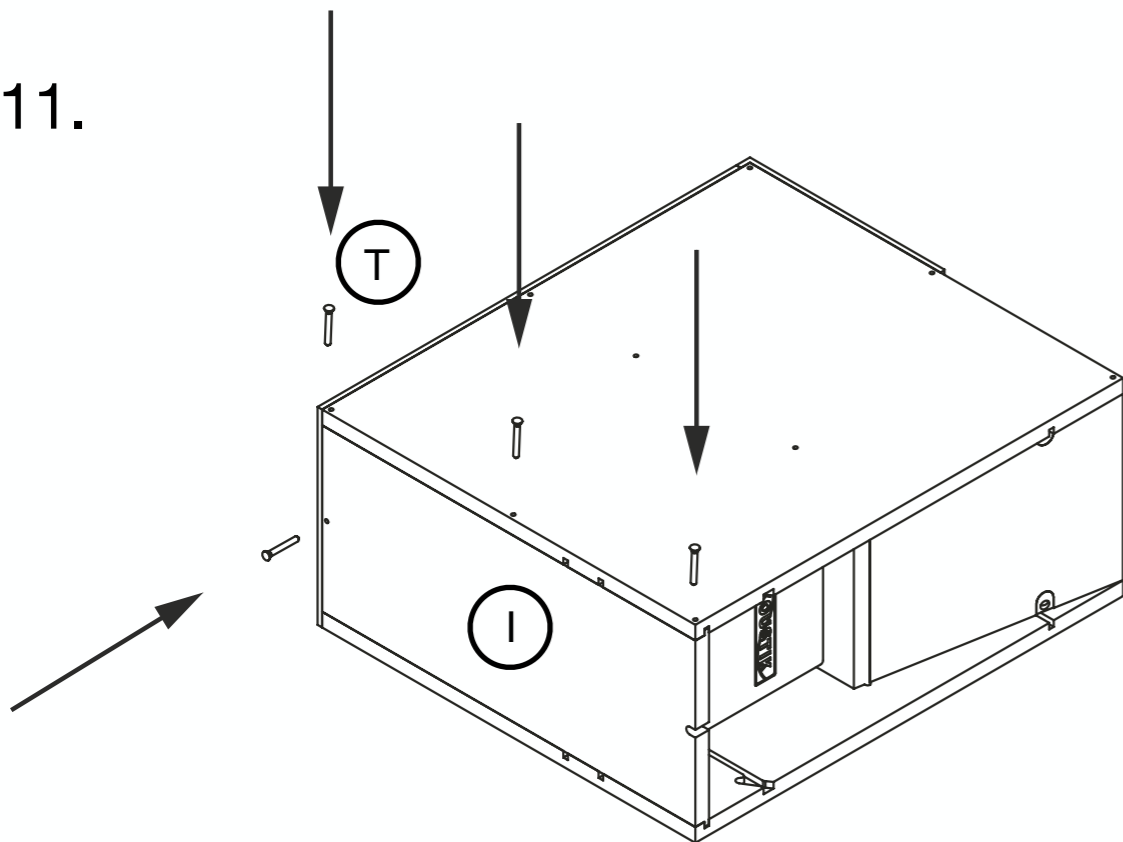
9.



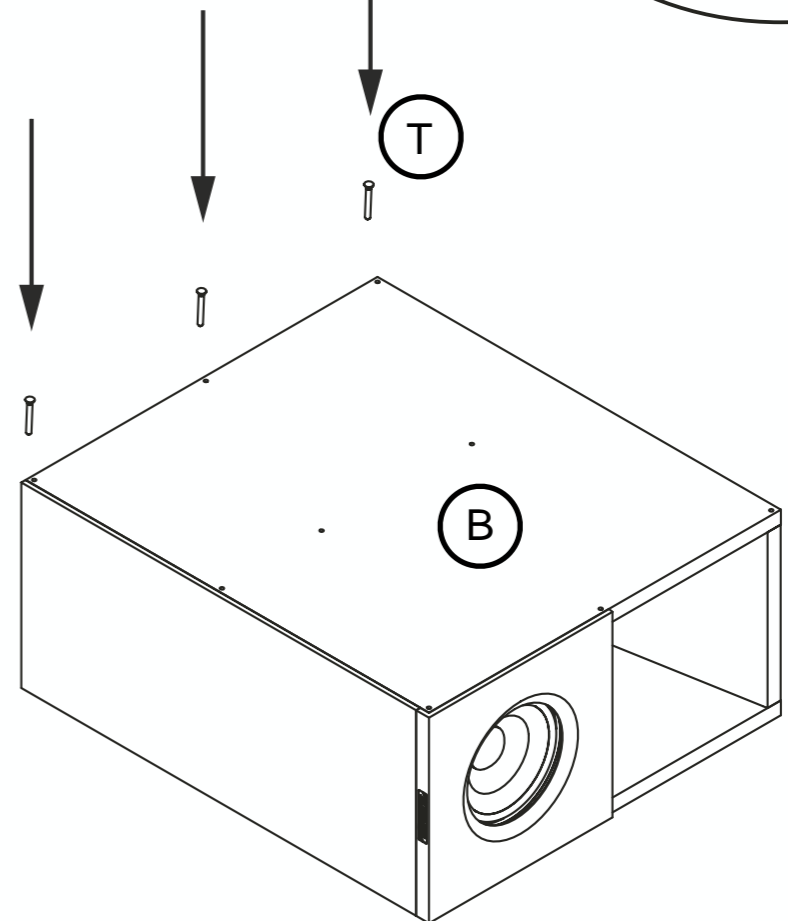
10.

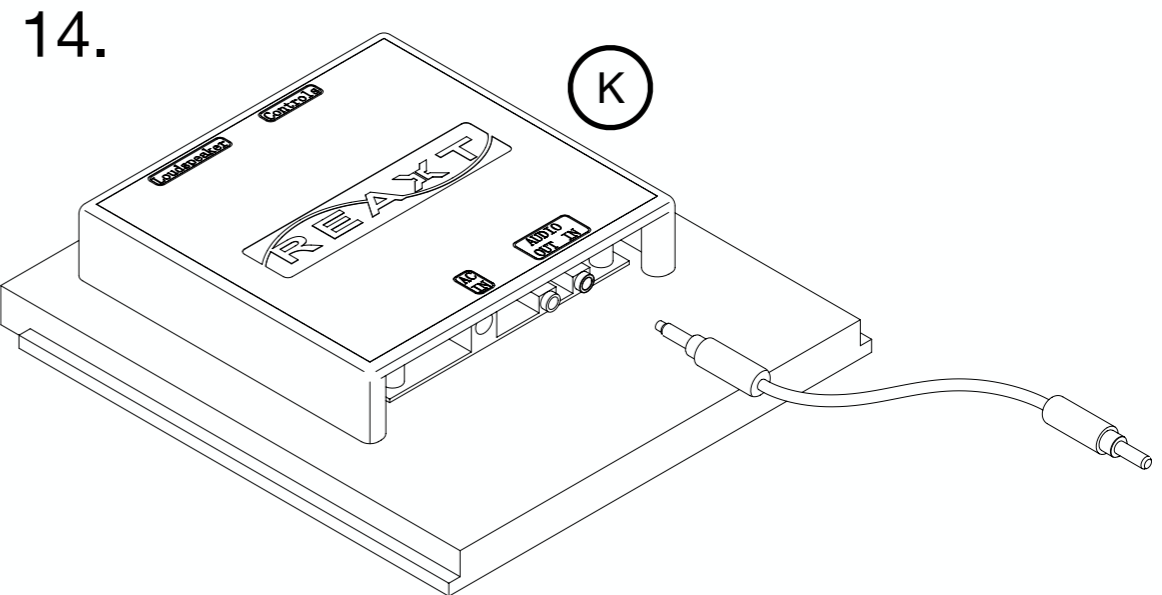
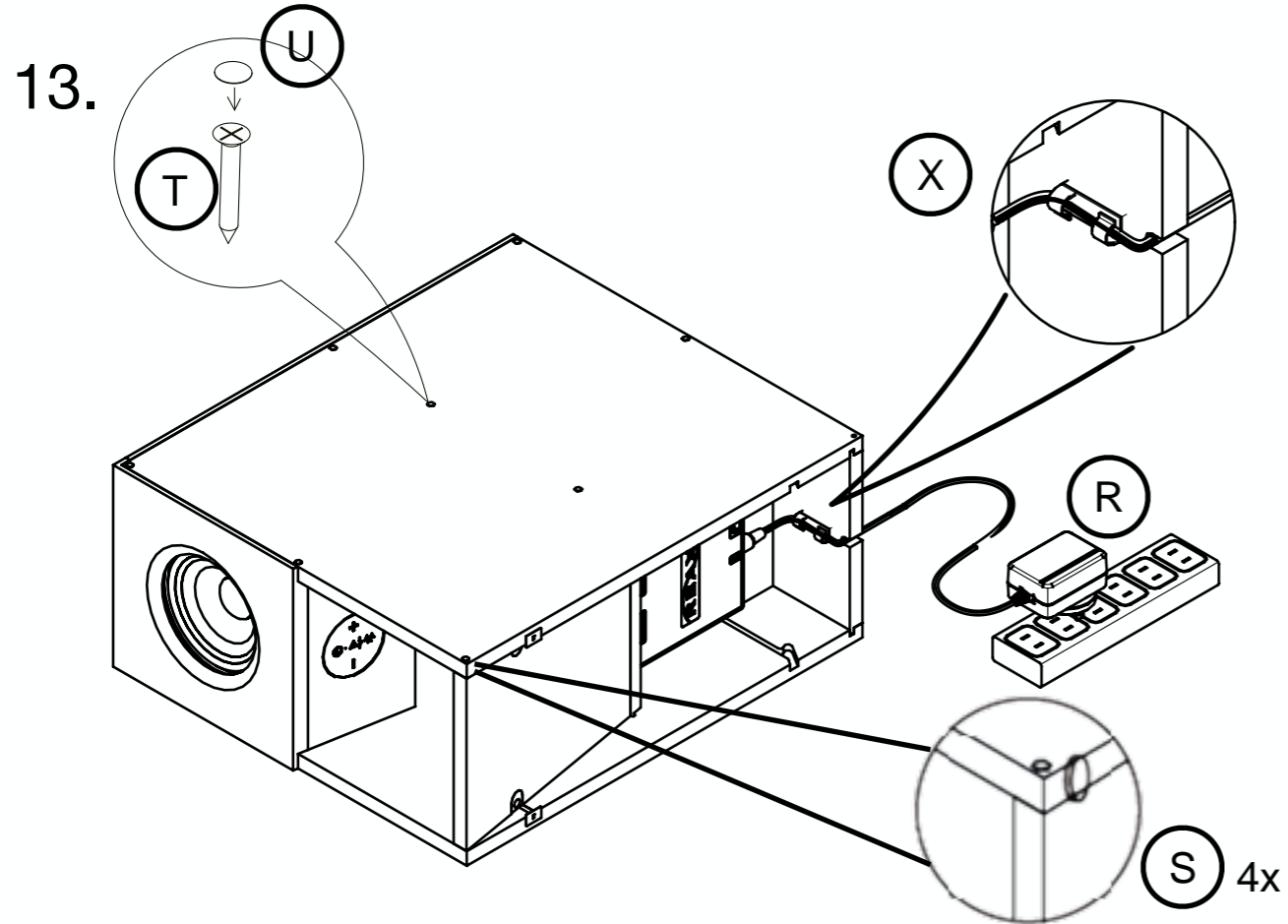


11.

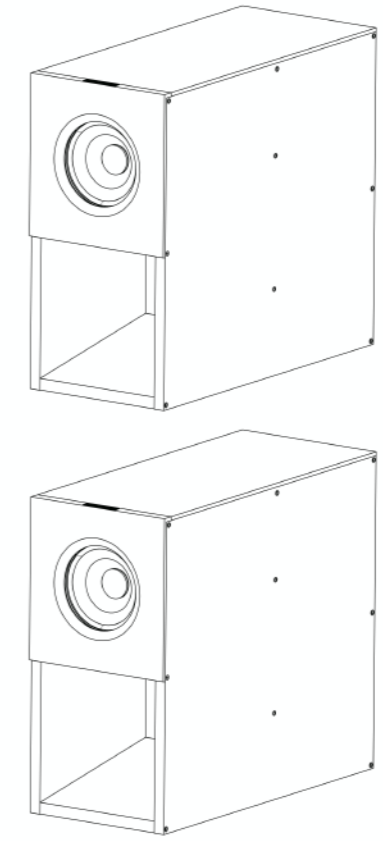
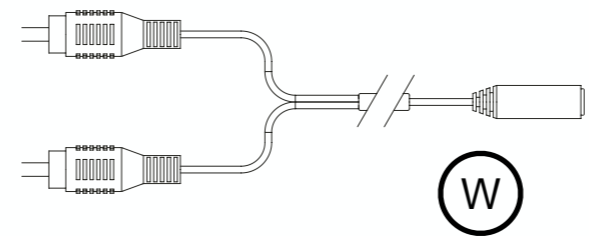
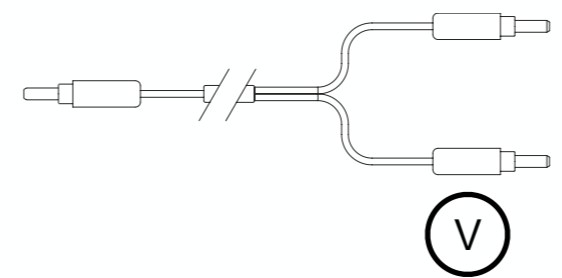
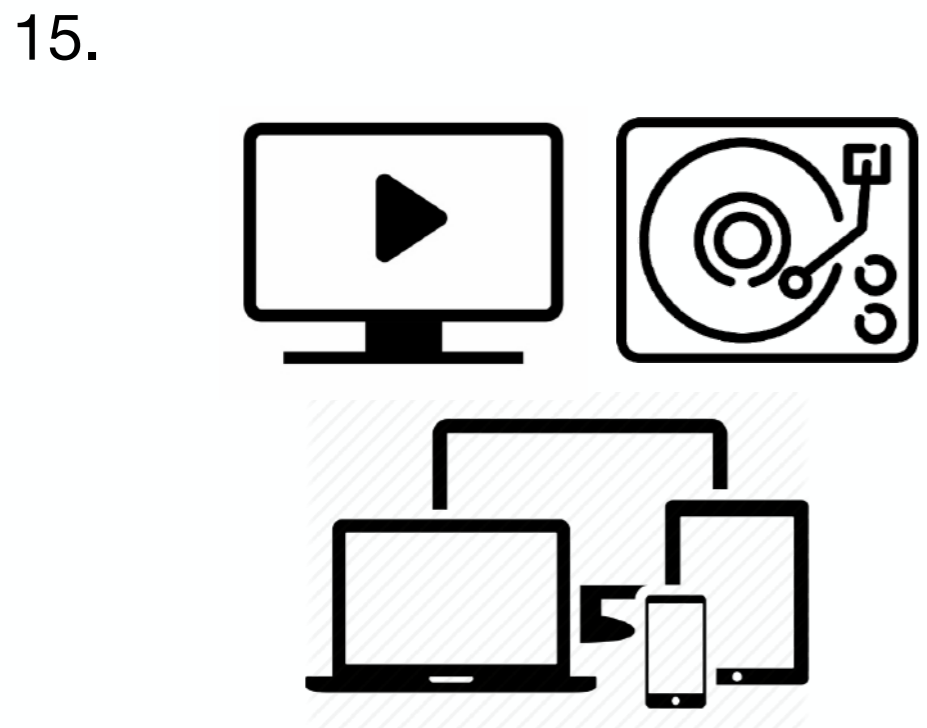


12.

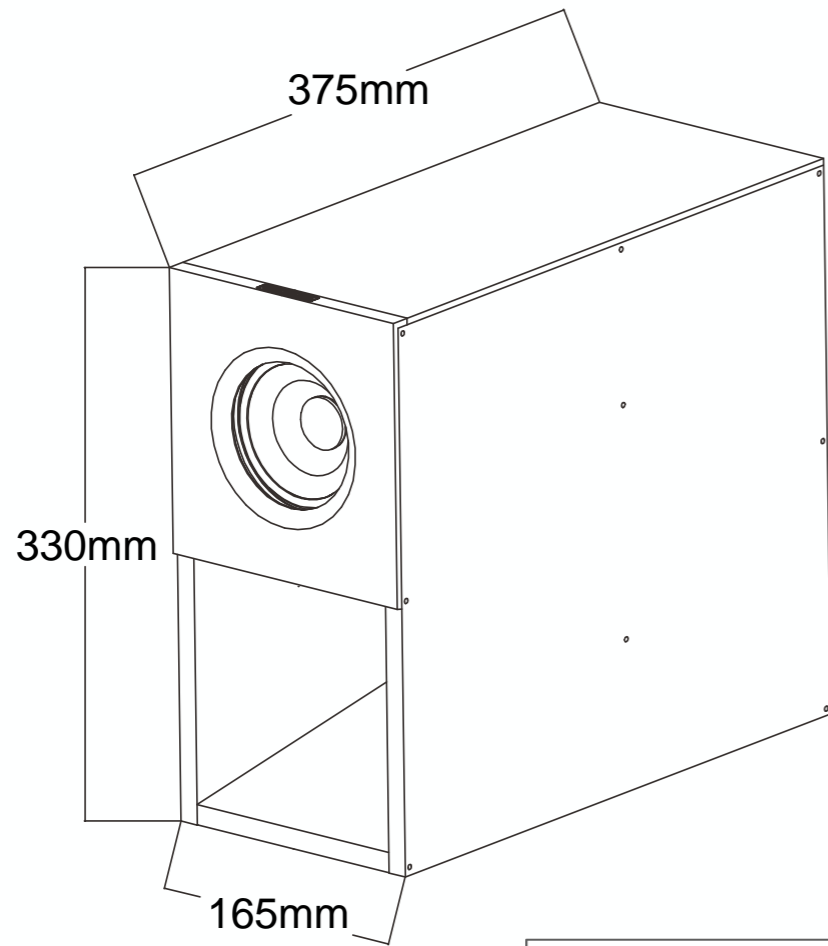




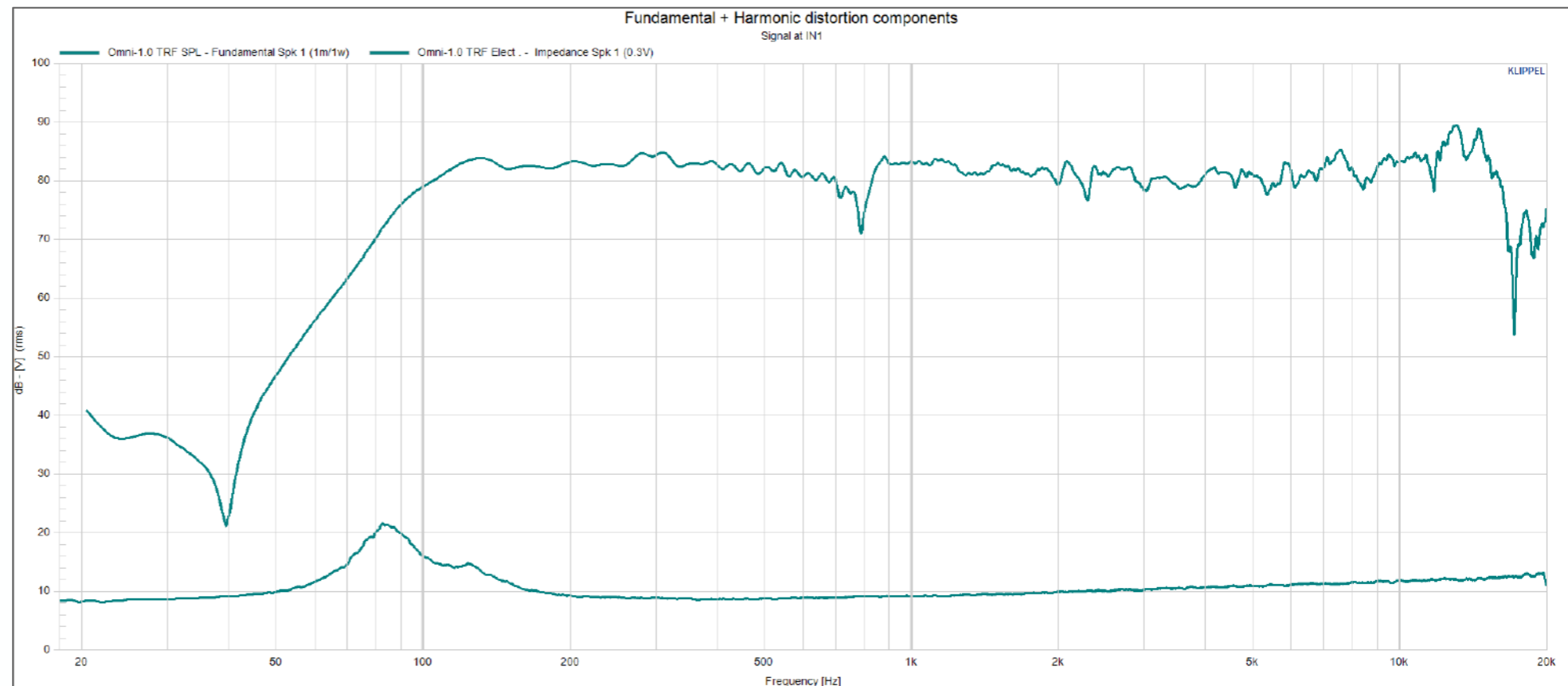
AUX IN: TV, Turntable, MP3, Computer, Cell Phone
AUX OUT: Subwoofer or Mono Setup



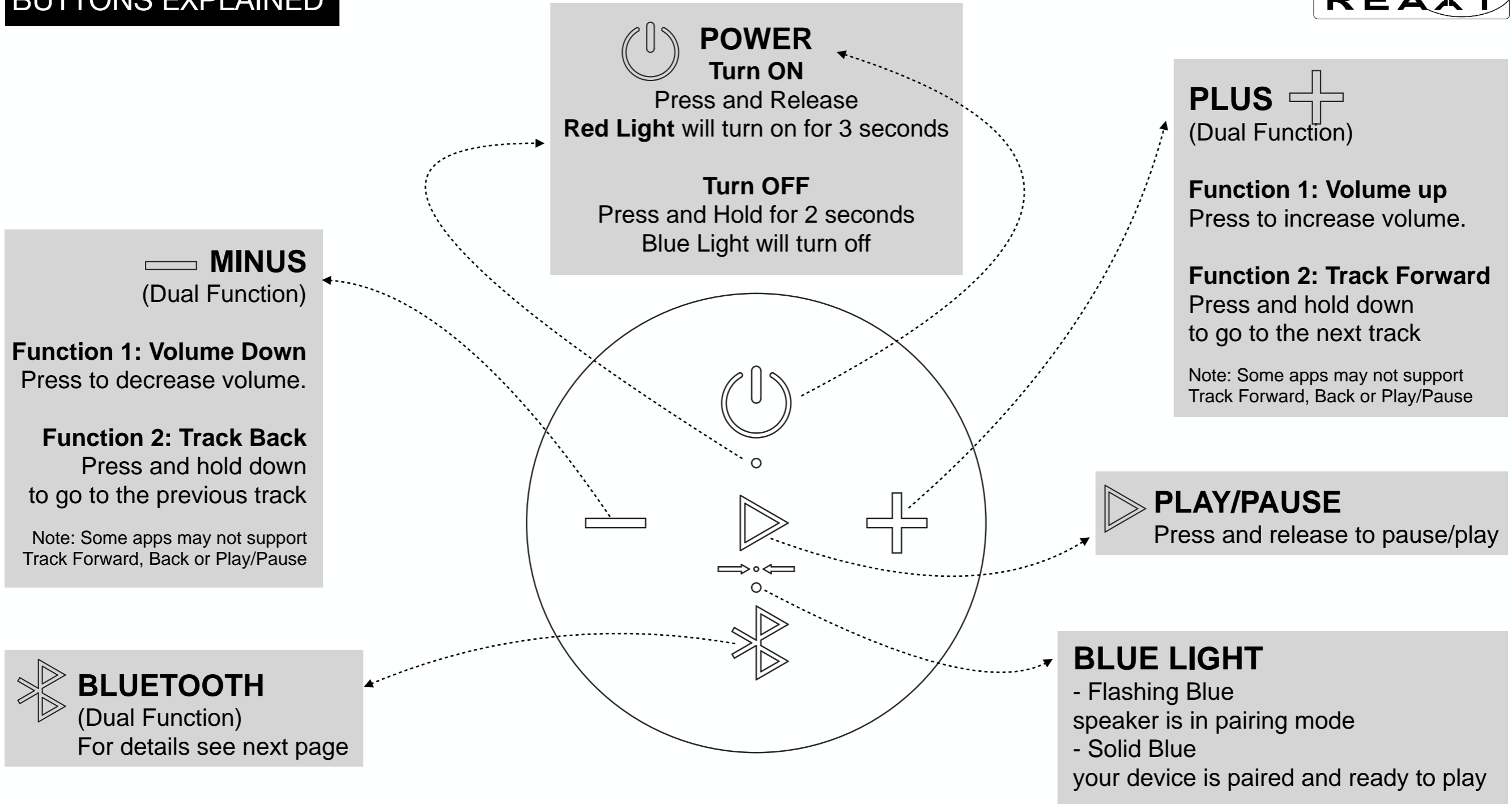
DIMENSIONS - SPECIFICATIONS - VERIFICATION



Frequency Bandwidth (-6dB)	85Hz-17kHz
Nominal Impedance	8 Ohm
RMS @ Rated Power	15W
SPL @ Rated Power	96dB
THD @ Rated Power	<2.5%
Power Adaptor	Input Jack: 5.5mm, DC: 12V/3A Input AC: 110-240V @ 50/60Hz





BUTTONS EXPLAINED



RESET FUNCTION

-Step 1: Remove the Micro USB charging cable and the 3.5mm Audio cable, if connected.

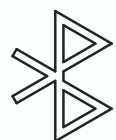
-Step 2: Press and Hold down both the Power  and Plus  button simultaneously for one second and then release both buttons.

-Step 3: The Omni-1.0 has now reset and you can turn it on.

STEP 1: TURN ON YOUR OMNI-1.0

- **Flashing Blue Light:** The Omni-1.0 is ready to pair and connect
- **Solid Blue Light:** Your device has connected to the Omni-1.0 and is ready to play.

The Omni-1.0 allows the last connected device to automatically reconnect each time you turn the power on and that device is within range (*).



The Omni-1.0 can be connected to one device at a time.

To pair and connect to a different device, you need to first disconnect the currently paired device.

To disconnect the current device, press and hold down the **Bluetooth button** for 3 seconds.

The **Blue Light** will begin **flashing** and the Omni-1.0 is ready for the next device to pair and connect.

STEP 2: ON YOUR DEVICE

Apple devices (iphone, ipad, ipod)

- Go to Settings > Bluetooth, check Bluetooth is on
- Select 'Omni-1.0' when it appears under DEVICES
- Your device will connect in a few seconds
- The **Flashing Blue Light** will turn solid blue and there will be a quiet chime
- You can now play your audio wirelessly to your Omni-1.0

Other devices (smartphone, tablet)

- Go to Settings > Bluetooth, check Bluetooth is on
- Scan or Search and select 'Omni-1.0' when it appears under AVAILABLE DEVICES
- Your device will connect in a few seconds
- The **Flashing Blue Light** will turn solid blue and there will be a quiet chime
- You can now play your audio wirelessly to your Omni-1.0

Note: Your Smartphone or Tablet instructions may vary

The volume control on your device and the speaker work independently of each other.

To play the speaker at the loudest volume, set the volume on your device to maximum and raise the volume on the speaker to maximum.

**Exception: certain devices may not automatically reconnect.*

Amazon Echo devices will not automatically reconnect. You will need to say "Alexa, connect my speaker".

Your device needs to be within 80 unobstructed feet (25 meters) of the Omni-1.0 to pair and connect.

If there is an issue when connecting, please move your device closer to the speaker, then pair and connect.

PAIR AND CONNECT WITH YOUR DEVICE - BLUETOOTH



STEP 2: ON YOUR DEVICE (continued)

Laptop or Desktop Computer

For the pairing and connecting guide for your Apple Mac or Windows laptop/computer, please visit: www.reaxt.com/pairing

With Your Amazon Echo or Amazon Echo Dot

To pair and connect with the Amazon Echo or Amazon Echo Dot the first time, use the Alexa app.

For other Amazon Alexa devices please refer to their pairing and connecting instructions.

- Open the Alexa app
- Go to the 'Home' menu by pressing the 3 horizontal lines in the upper left corner next to 'Home'
- Press 'Settings'
- Select your Amazon Echo device under 'Devices' by pressing it
- Press 'Bluetooth'
- Select the 'Omni-1.0' when it appears in the list of 'Available Speakers'
- Alexa will announce: "Connected to REAXT Omni-1.0"

To connect the next time, turn on the Omni-1.0 and say "Alexa, connect my speaker" or "Alexa, pair"

CONNECT NON-BLUETOOTH DEVICES WITH 3.5mm STEREO AUDIO CABLE

Turn ON your Omni-1.0

- Plug one end of a 3.5mm stereo audio cable into the AUX IN Jack on the speaker.
- The fast Flashing Blue Light will turn slow down.
- Plug the other end of the cable into the AUX or RCA output device.
- Make sure both ends of the cable are fully inserted
- You are now ready to play.

Important: The Bluetooth on the Omni-1.0 is disabled when the 3.5mm audio cable is connected to the speaker. Bluetooth can be activated by pressing and holding the Bluetooth button for 3 seconds. Bluetooth and AUX Input can be switched by pressing the Bluetooth Button

The volume control on your device and the speaker work independently of each other.

To play the speaker at the loudest volume, set the volume on your device to maximum and raise the volume on the speaker to maximum.

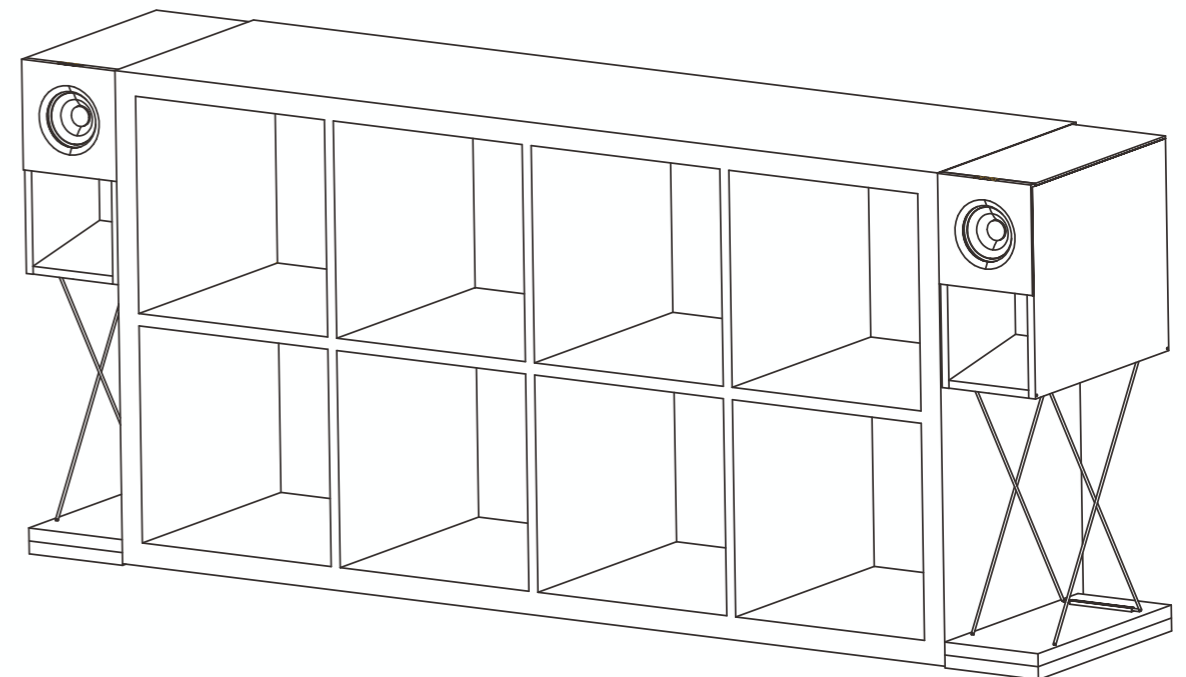
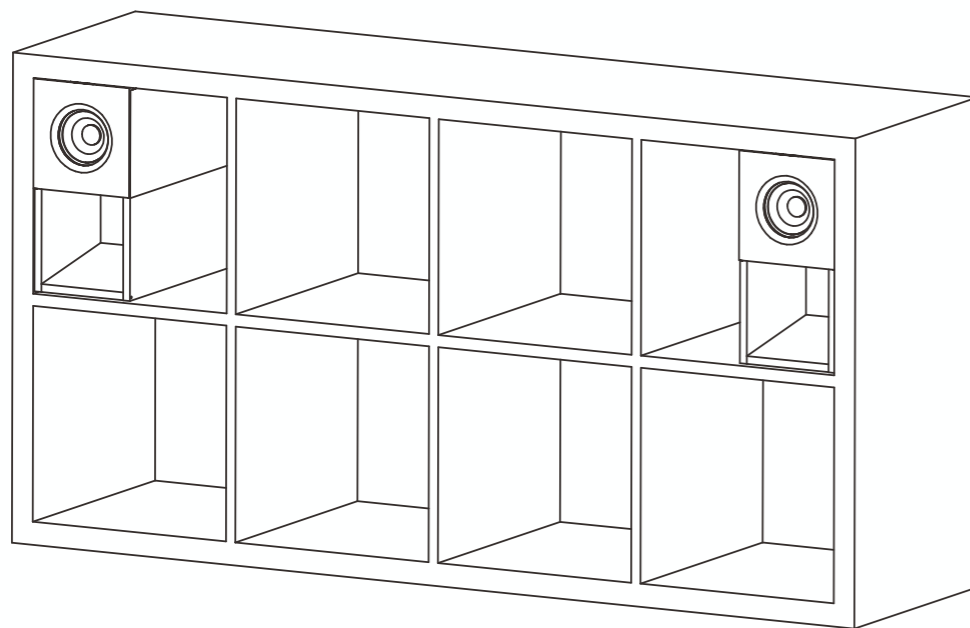
Connect two Omni-1.0 speakers together for Wireless Dual Stereo.

- When connecting together two Omni-1.0 speakers in Wireless Dual Stereo, they will first connect together for Left Channel – Right Channel. To play in Dual Stereo, press and hold down the Play Control Button on both speakers for 3 seconds until the white light starts flashing on both speakers.

To prevent lip sync issues between the audio and video when connecting the Omni-1.0 speakers to a TV.

- The standard Bluetooth protocol has inherited latency and when used to play audio from a video, lip sync issues may occur between the audio and video. If there is a sync issue between the audio and video, it is recommended to use a 3.5mm Audio Cable to connect the device playing the video to the Aux In on the Omni-1.0 speakers.
- When using two Omni-1.0 speakers with a video device in Wireless Dual Stereo mode, a 3.5mm Audio Cable should be used to connect the device playing the video to the Aux In on the Omni speaker. This speaker will be the 'Play Control Speaker'. The second speaker is paired and connected with the 'Play Control Speaker'. The latency is reduced between the two connected Omni speakers because a proprietary wireless connection is used instead of standard Bluetooth.

STEREO SETUP



CUSTOMER SUPPORT

If you have a question about your Omni-1.0 or experience an issue with the speaker, our Customer Support Team wants to assist you.

For online troubleshooting tips please visit:
react.com/troubleshooting and select the Omni-1.0

Contact us at:
react.com/support and fill in our customer support form

Warranty: react.com/warranty

TRADEMARKS

Apple, iPhone, iPad, iPod, and Mac are registered trademarks of Apple Inc.

Amazon, Alexa, Amazon Echo and Amazon Echo Dot are registered trademarks of Amazon.com, Inc.

Windows is a registered trademark of Microsoft Corporation.

Bluetooth is a registered trademark of Bluetooth SIG, Inc UL is a registered trademark of UL.

This device complies with Part 15 of the FCC Rules.

Operation is subject to the following two conditions:

- (1) This device may not cause harmful interference.
- (2) This device must accept any interference received, including interference that may cause undesired operation.

NOTES

NOTE 1: This equipment has been tested and found to comply with the limits for a Class D digital device, pursuant to part 15 of the FCC Rules.

These limits are designed to provide reasonable protection against harmful interference in a residential installation.

This equipment generates, uses and can radiate radio frequency energy and, if not installed and used in accordance with the instructions, may cause harmful interference to radio communications.

NOTE 2: Any changes or modifications to this unit not expressly approved by the party responsible for compliance could void the user's authority to operate the equipment.

SAFETY AND PRECAUTIONS

1. When the Omni-1.0 speaker is plugged in to a power source, never use the speaker near water to prevent risk of electric shock.
2. Read and follow all instructions.
All operating and use instructions should be followed.
3. Protect the charging cable from being pinched, particularly at the connectors.
4. Unplug the power adaptor during lightning storms or when unused for long periods of time.
5. Do not place the Omni-1.0 speaker near any heat sources such as radiators, heat registers, stoves or other apparatus that produce heat. Do not expose the Omni-1.0 to excessive heat (e.g. storage in direct sunlight, fire or the like).
6. Refer all servicing to qualified personnel.
Servicing is required when the speaker has been damaged in any way.
7. Do not make alterations to this speaker.
8. Use this speaker only with an agency approved power supply which meets local regulatory requirements (e.g., UL, CSA, VDE, CCC) in accordance with the manufacturer's specifications.
9. Do not place naked flame sources, such as lighted candles, on or near the speaker.